

# ReadyGuard-R Series

Security Systems



## Programming Guide for ReadyGuard-R and ReadyGuard-REN

# TABLE OF CONTENTS

DATA FIELDS .....	3
*56 ENHANCED ZONE PROGRAMMING .....	11
*80 DEVICE PROGRAMMING .....	13
*81 ZONE LISTS .....	14
*83 ENHANCED SEQUENTIAL MODE .....	15
*84 ASSIGN ZONE VOICE DESCRIPTORS .....	16
VOCABULARY INDEX (for *84 Assign Zone Voice Descriptors) .....	16
*85 RECORD CUSTOM VOICE DESCRIPTORS .....	17
*56 ENHANCED ZONE PROGRAMMING WORKSHEET .....	17
POWERLINE CARRIER DEVICE WORKSHEET FOR *80 and *81 .....	19
5800 SERIES TRANSMITTER LOOP DESIGNATIONS DIAGRAM .....	20
SPECIAL MESSAGES .....	21
READYGUARD-R Series SUMMARY OF CONNECTIONS DIAGRAM .....	22

Refer to the Installation and Setup Guide for detailed information on programming the ReadyGuard-R or ReadyGuard-REN system. The Installation and Setup Guide includes full descriptions of all data fields.



ReadyGuard-R and ReadyGuard-REN are not intended for UL985 Household Fire applications unless a 24-hour backup battery (P/N LYNXRCHKIT-HC) is installed.



Certain features differ between the ReadyGuard-R and the ReadyGuard-REN models. Verify the specific model being installed prior to the system programming.

## TO ENTER PROGRAMMING MODE:

1. Power up, then depress **[\*]** and **[#]** both at once, within 50 seconds of powering up.  
OR
2. For factory defaulted system, enter: **Installer Code (4 + 1 + 1 + 2)** plus **8 + 0 + 0**. OR  
If different **Installer Code** is programmed, enter: **New Installer Code + 8 + 0 + 0**.  
(if \*98 was used to exit previously, method 1 above must be used to enter the program mode again)
3. Upon entry into Program mode, data field \*20 will be displayed (the first data filed in the system) and both keypad LEDs will flash.

## TO PROGRAM THE DATA FIELDS:

1. Press **[\*]** followed by the desired field number (e.g., \*21), then make the required entry.
2. The keypad beeps three times after entering data, then displays the next data field in sequence.
3. For phone number and account number fields, press **[\*]** to end the entry if less than number maximum number of digits is entered.
4. To delete an entry, simply press **[\*]** plus that field number and reenter the correct data. For phone number and account number fields \*40-\*44, \*88 and \*94, press **[\*]** + field number + **[\*]**.

## INTERACTIVE MENU MODES:

There are six interactive menu modes as listed below. To enter these modes, first enter Program mode. While in Program mode, press **[\*]** plus the mode number desired (e.g., \*56).

- \*56 Enhanced Zone Programming .....For programming zone characteristics, report codes, etc.
- \*80 Device Programming.....For programming Powerline Carrier Devices
- \*81 Zone List Programming.....For programming zone lists for use with Powerline Carrier Devices
- \*83 Enhanced Sequential Mode .....For entering transmitter serial numbers
- \*84 Assign Zone Voice Descriptors .....For assigning voice descriptors to zones
- \*85 Record Custom Voice Descriptors .....For recording custom voice descriptors

**TO LOAD A DEFAULT SET:**

While in Program mode, press \*97, then enter a number 1-4 corresponding to the default table desired. See the Installation Instructions for the default tables. Enter 0 if you are not selecting a default table.

**TO EXIT PROGRAMMING MODE:**

\*98 Exits programming mode and *prevents* re-entry by: Installer Code + 8+ 0 + 0. If \*98 is used to exit programming mode, system must be powered down, then press [\*] and [#] within 50 seconds of power up to re-enter programming mode.

\*99 Exits programming mode and *allows* re-entry by: Installer Code + 8 + 0 + 0 or: Power-up, then press [\*] and [#] within 50 seconds of power up.

**DATA FIELDS**

Field	Function	Programmed Values	[ ] = Table 1 Default Values
<b>SYSTEM SETUP (* 20– * 30)</b>			
*20	INSTALLER CODE	<input type="text"/> <input type="text"/> <input type="text"/> <input type="text"/> [4112] Enter 4 digits, 0–9	
*21	QUICK ARM ENABLE	<input type="text"/> † [1] 0 = no; 1 = yes	
*22	KEYPAD BACKLIGHT TIMEOUT	<input type="text"/> [0] 0 = none (backlighting always on); 1 = backlight off after 10secs	
*23	FORCED BYPASS	<input type="text"/> † [0] 0 = none; 1 = bypass open zones UL installations = 0	
*24	RF HOUSE ID CODE	<input type="text"/>   <input type="text"/> [00] 00 = disable all wireless keypad usage; 01–31 = 5827/5804BD/5804BDV house ID	
*25	POWERLINE CARRIER DEVICE HOUSE CODE	<input type="text"/> [0] 0 = A; 1 = B, 2 = C, 3 = D, 4 = E, 5 = F, 6 = G, 7 = H, 8 = I, 9 = J, #10 = K, #11 = L, #12 = M, #13 = N, #14 = O, #15 = P	
*26	CHIME BY ZONE	<input type="text"/> † [0] 0 = no; 1 = yes (program zones to chime on zone list 3)	
*27	REAL TIME CLOCK DISPLAY	<input type="text"/> † [1] 0 = no; 1 = yes, display time on keypad	
*29	DAYLIGHT SAVING TIME START/END MONTH	<input type="text"/> <input type="text"/> [4, 10] Start      End 1-9, #+10,#+11,#+12. Enter 0,0 if no daylight savings time used.	
*30	DAYLIGHT SAVING TIME START/END WEEKEND	<input type="text"/> <input type="text"/> [1,5] Start      End 0=disable; 1=first; 2=second; 3=third; 4=fourth; 5=last; 6=next to last; 7=third from last	

Field	Function	Programmed Values	[ ] = Table 1 Default Values
<b>ZONE SOUNDS AND TIMING (* 31– * 39)</b>			
*31	SINGLE ALARM SOUNDING/ZONE	<input type="checkbox"/> † [0]	1 = yes, limit once per arming period (also applies to long range radio output if "0" is selected in *91 field); 0 = no limit UL installations = 0
*32	FIRE SOUNDER TIMEOUT	<input type="checkbox"/> † [0]	0=timeout; 1=no timeout
*33	ALARM BELL TIMEOUT	<input type="checkbox"/> † [1]	0 = none; 1=4 min; 2=8 min; 3=12 min; 4 = 16 min UL installations = 1 (4 min) minimum
*34	EXIT DELAY	<input type="text"/> † [70]	00-99 = exit delay time (in seconds). UL installations = 60 seconds max.
*35	ENTRY DELAY 1 (zone type 01)	<input type="text"/> † [30]	00-99 = entry delay time (in seconds); UL installations = 45 seconds max.
*36	ENTRY DELAY 2 (zone type 02)	<input type="text"/> † [60]	00-99 = entry delay 2 time (in seconds); UL installations = 45 seconds max.
*37	AUDIBLE EXIT WARNING / QUICK EXIT	<input type="checkbox"/> <input type="checkbox"/> † [1, 1]	Exit Warn Quick Exit 0 = no; 1 = yes
*38	CONFIRMATION OF ARMING DING	<input type="checkbox"/> † [0]	0 = no; 1 = yes (when armed by self-contained keypad or RF) 2 = yes (when armed by RF keypad only).
*39	POWER UP IN PREVIOUS STATE	<input type="checkbox"/> † [1]	0 = no; 1 = yes; UL installations = 1

† Entering a number other than the one specified may give unpredictable results.

**DIALER PROGRAMMING (\* 40– \* 53)**

In fields \*40, \*41, \*42, enter up to the number of digits shown. Do not fill unused spaces. Enter 0–9; #+11 for '\*'; #+12 for '#'; #+13 for a pause.

*40	PABX ACCESS CODE	<input type="text"/> <input type="text"/> <input type="text"/> <input type="text"/> <input type="text"/> <input type="text"/>	Enter 6 digits. If fewer than 6 digits are entered, pressing * advances to the next field. To clear entries from field, press *40*
*41	PRIMARY PHONE NUMBER	<input type="text"/> <input type="text"/> <input type="text"/> <input type="text"/> <input type="text"/> <input type="text"/> <input type="text"/> <input type="text"/> <input type="text"/> <input type="text"/> <input type="text"/> <input type="text"/> <input type="text"/> <input type="text"/> <input type="text"/> <input type="text"/> <input type="text"/> <input type="text"/> <input type="text"/> <input type="text"/> <input type="text"/> <input type="text"/> <input type="text"/>	Enter up to 20 digits; Do not fill unused spaces. If fewer than 20 digits entered, pressing * advances to the next field. To clear entries from field, press * 41* .

**Field Function** **Programmed Values** **[ ] = Table 1 Default Value**

**\*42** SECONDARY PHONE NUMBER

Enter up to 24 digits; Do not fill unused spaces. If fewer than 24 digits entered, pressing \* advances to the next field. To clear entries from field, press \*42\* .

**For fields \*43 , \*44:**

Enter 0–9; #+11 for B; #+12 for C; #+13 for D; #+14 for E; [#+15 for F]. Enter \* as 4th digit, if 3+1 dialer reporting is to be used. If only 3 digits used, pressing \* advances to the next field.

To clear entries from field, press \*43\* or \*44\* .Examples:

For Acct. **1234**, enter:  1 |  2 |  3 |  4 ; For Acct. **B234**, enter:  #+11 |  2 |  3 |  4

For Acct. **123**, enter:  1 |  2 |  3 |  \*

**\*43** PRIMARY SUBS ACCT # 
    [15, 15, 15, 15]

**\*44** SECONDARY SUBS ACCT # 
    See note on previous page

**\*47** PHONE SYSTEM SELECT

† [1] (**ReadyGuard-R**)
 
 † [5] (**ReadyGuard-REN**)
 

**Note:** If you are using Pulse (rotary) Dialing, make sure that LYNX has finished dialing the last number you dialed (listen to pulses)

**For ReadyGuard-R only options 0, 1, 2, and 3 are applicable**

Central Station	Dialing Mode			
	Pulse	Tone	Pulse	Tone
<b>No WATS</b>	0 = No Speaker Phone	1 = No Speaker Phone	4 = With Speaker Phone	5 = With Speaker Phone
<b>WATS</b>	2 = No Speaker Phone	3 = No Speaker Phone	6 = With Speaker Phone	7 = With Speaker Phone

**\*48** REPORT FORMAT for PRIM./SEC 
  [7, 0]
 

**Note:** Option 7 (ADEMCO Contact ID®) must be selected for AVM.

Primary Secondary

0 = 3+1, 4+1 ADEMCO L/S STANDARD  
 1 = 3+1, 4+1 RADIONICS STANDARD  
 2 = 4+2 ADEMCO L/S STANDARD  
 3 = 4+2 RADIONICS STANDARD  
 6 or undefined = 4+2 ADEMCO EXPRESS  
 7 = ADEMCO CONTACT ID REPORTING  
 8 = 3+1, 4+1 ADEMCO L/S EXPANDED  
 9 = 3+1, 4+1 RADIONICS EXPANDED

† Entering a number other than the one specified may give unpredictable results.





**\*75** RF XMTR LO BAT RST RPT CODE  [1,0]

**\*76** TEST RESTORE RPT CODE  [0,0]

**OUTPUT AND SYSTEM SETUP (\*80–\*92)**

**\*80** DEVICE PROGRAMMING MENU MODE Program \*80 and \*81 only if Powerline Carrier Devices or chime by zone are to be used. See procedure later in this manual.

**\*81** ZONE LISTS MENU MODE

**\*83** ENHANCED SEQUENTIAL MODE See procedure later in this manual.

**\*84** ASSIGN ZONE VOICE DESCRIPTOR See procedure later in this manual.

**\*85** RECORD CUSTOM VOICE DESCRIPTOR See procedure later in this manual.

**\*87** AUX FUNCTION/ 1-BUTTON PAGING  [0]

0 = Aux key performs defined function (macro);  
1 = Aux key sends message (999-9999) to pager  
If 1, you must also select an option 6-9 in field \*49.

**\*88** PAGER CHARACTERS

Up to 16 digits can be entered that will appear in front of the 7-digit pager message sent by the control (either upon system event or upon pressing AUX key [if programmed for paging]; see field \*87 and \*49 for other options regarding the paging feature). See the Installation Instructions (fields \*87, \*88 and \*49) for full descriptions of the paging feature. You do not need to fill all 16 digits (press [\*] to advance to next field). To clear entries, enter \*88\*.

To enter "\*" = [#] + [11]; To enter "#" = [#] + [12]

To enter 2-second pause = [#] + [13] (some pagers require an additional delay [pause] in order to receive the entire message)

**\*89** EVENT LOG 80% FULL RPT CODE  [0,0]

**\*90** EVENT LOGGING  [3]

0 = None; 1 = Alarm/Alarm Restore; 2 = Trouble/Trouble Restore;  
4 = Bypass/Bypass Restore; 8 = Open/Close.

*Example:* To select "Alarm/Alarm Restore", and "Open/Close", enter 9 (1 + 8); To select all, enter #15.

**Note:** System messages are logged when any non-zero selection is made.



Field	Function	Programmed Values[ ] = Table 1 Default Value
*91	<b>ReadyGuard-R</b> LONG RANGE RADIO/ALARM AUDIO VERIFICATION (AAV)/REMOTE PHONE CONTROL	<input type="checkbox"/> [2] 0 = Long range radio only 1 = AAV and remote phone control 2 = Long range radio and remote phone control 4 = AAV only <b>Notes:</b> (1) If long range radio is being connected alarm audio verification cannot be used. (2) In order to activate the remote phone access feature and defeat an answering machine ensure that the correct ring detection count ("15") has been programmed in field *95. (3) Remote phone session will be terminated if a report must be sent. (4) If alarm audio verification mode is selected a long range radio cannot be connected. (5) Alarm audio verification will only function when Contact ID is selected and cannot be used for UL installations. (6) If an alarm will be reported to primary and secondary phone numbers, AAV can only function via the secondary number. (7) If an alarm will be reported to a pager (6, 7, or 8 in field *49), AAV cannot be used.
	<b>ReadyGuard-REN</b> ALARM AUDIO VERIFICATION (AAV)/REMOTE PHONE CONTROL	<input type="checkbox"/> [2] 0 = None 1 = AAV and remote phone control 2 = remote phone control only 4 = AAV only <b>Notes:</b> (1) No programming is required if connecting an ALARMNET 7845C device because the option is always enabled. (2) In order to activate the remote phone access feature and defeat an answering machine ensure that the correct ring detection count ("15") has been programmed in field *95. (3) Remote phone session will be terminated if a report must be sent. (4) Alarm audio verification will only function when Contact ID is selected and cannot be used for UL installations. (5) If an alarm will be reported to primary and secondary phone numbers, AAV can only function via the secondary number. (6) If an alarm will be reported to a pager (6, 7, or 8 in field *49), AAV cannot be used.
*92	NUMBER OF REPORTS IN ARMED PERIOD	<input type="checkbox"/> [0] 0 = 10 Alarm/Alarm Restore Reports; 1 = Unlimited (UL installations = 0)
<b>DOWNLOAD INFORMATION (*93,*94,*95)</b>		
*93	FLEXIBLE CALLBACK	<input type="checkbox"/> [0] 0 = No flexible callback; 1 = Last digit flexible; 2 = Last 2 digits flexible; 3 = Last 3 digits flexible
*94	DOWNLOAD PHONE NUMBER	<input type="text"/> <input type="text"/> <input type="text"/> <input type="text"/> <input type="text"/> <input type="text"/> <input type="text"/> <input type="text"/> <input type="text"/> <input type="text"/> <input type="text"/> <input type="text"/> <input type="text"/> <input type="text"/> <input type="text"/> <input type="text"/> <input type="text"/> <input type="text"/> <input type="text"/> <input type="text"/> <input type="text"/> <input type="text"/> <input type="text"/> <input type="text"/> <input type="text"/> <input type="text"/> <input type="text"/> <input type="text"/> <input type="text"/> <input type="text"/> <input type="text"/> <input type="text"/> <input type="text"/> <input type="text"/> <input type="text"/> <input type="text"/> <input type="text"/> <input type="text"/> <input type="text"/> <input type="text"/> <input type="text"/> <input type="text"/> <p>Enter up to 20 digits, 0–9; #+11 for '*'; #+12 for '#'; #+13 for a pause. Do not fill unused spaces. If fewer than 20 digits entered, pressing * advances to the next field. To clear entries from field, press *94*.</p> <p><b>Note:</b> In UL installations, downloading may only be performed if a technician is at the site.</p>

Field	Function	Programmed Values	[ ] = Table 1 Default Value
*95	RING DETECT COUNT FOR DOWNLOADING/REMOTE PHONE CONTROL MODE	<input type="checkbox"/> [15]	0 = Disable Station Initiated Download; 1–14 = number of rings (1–9, [#]+10 =10, [#] +11 =11, [#] +12 =12, [#] +13 =13, [#] +14 =14); 15 = answering machine defeat ([#] +15 =15)
*96	INITIALIZE DOWNLOAD ID & SUBSCRIBER ACCOUNT	No entry required	
*97	SET ALL PROGRAM FIELDS TO 1 OF 4 SETS OF DEFAULT VALUES	Enter 1-4 to select from default tables 1-4 Enter 0 to abort.	
*98	EXITS PROGRAMMING MODE (PREVENTS RE-ENTRY)	Installer Code + 8+ 0 + 0. If *98 is used to exit programming mode, you must press "*" and "#" within 50 seconds of power up or from exiting Programming mode to re-enter Programming mode. <b>Note:</b> After exiting Program mode, the system takes up to 1 minute to reset. To bypass the reset delay, press [#] + [0].	
*99	EXITS PROGRAMMING MODE (ALLOWS RE-ENTRY)	Installer Code + 8 + 0 + 0 or: Power-up, then press "*" and "#" within 50 seconds of power up or from exiting Programming mode. <b>Note:</b> After exiting Program mode, the system takes up to 1 minute to reset. To bypass the reset delay, press [#] + [0].	

# \*56 ENHANCED ZONE PROGRAMMING PROCEDURE

Use this mode to program zone information. Press \*56 while in programming mode.

- Notes:** (1) Entering a number other than the one specified may give unpredictable results.  
(2) You may find it convenient to adjust the volume setting before entering the Programming Mode. This will allow you to clearly hear feedback announcements or system beeps.

**A** 01

## ZONE NUMBER

Enter the 2-digit zone number to be programmed. The system will announce the Voice Descriptor for the selected zone, if it is programmed.

[\*] = Continue

00 = exit zone programming mode;

upon exiting, the prompt "56" blinks; press

[\*] + any field number to go to that field.

• Zone 1 = hard wire zone

• Zones 2-25 = RF transmitter zones (only)

• Zone 26-41 = RF button zones (only)

• Zone 92 = Duress

• Zone 95, 96, 99 = Panic zones

**b** zt

## ZONE TYPE

Enter the 2-digit zone type (zt) for this zone (see table of zone types on worksheet page 13).

[\*] = Continue [if 00 is entered the system will skip to DELETE ZONE PARAMETERS prompt (F)].

[#] = Return to previous prompt

**C** rc

## REPORT CODE

Enter the report code (rc) for this zone.

Report consists of 2 hexadecimal digits, each composed of 2 numerical digits (A = 10, B = 11, C = 12, D = 13, E = 14, F = 15; see Report Code description on page 6 for explanation of codes).

[\*] = Continue; If this is zone 1, 95, 96 or 99, the system skips to the VOICE DESCRIPTOR prompt (1C)

[#] = Return to previous prompt

**d** i

## INPUT TYPE

Enter the input type (i) for the transmitter assigned to this zone as follows:

3 = Supervised RF (RF)

[\*] = Continue

4 = Unsupervised RF (UR)

[#] = Return to previous prompt

5 = Button type (BR)

### Note

Zones 2-25 should be assigned as Input Type 3 or 4 and Zones 26-41 should be assigned as

**E** l

## LOOP NUMBER or LOOP AND SERIAL NUMBER (if using RF Learning)

**Note:** It is not necessary to manually enter a Loop Number if using the RF Learning Mode.

**RF Learning** - Two (2) transmissions (two key depressions at least five seconds apart) will be required for BR type devices (device type 5). Two beeps will sound after the second transmission, confirming that the loop number and serial number have been learned.

For all other device types, four (4) transmissions are required (fault, restore and fault, restore). A single beep will sound after the second transmission confirming that the loop and serial number have been captured. Following the fourth transmission the system will confirm that the loop and serial number have been learned by announcing the Voice Descriptor for the zone, if it is programmed, followed by two beeps.

**Note:** BR type devices cannot be enrolled by using UR or RF type. Likewise, UR or RF type devices cannot be enrolled by using a BR type device. There is a 52-second time-out for RF enrolling. At the end of the time-out, the system returns to the INPUT TYPE prompt (d). If enrolled, loop number and "L" are displayed.

**Manual Entry** - Enter the desired loop number and press[\*] to continue (see the transmitter's Installation Instructions for specific loop designations). If "L" is displayed the zone's serial number has already been enrolled.

**Note:** The loop number can be changed even if the zone has already been entered. Care should be taken when using this feature as it has the capability to make zones inoperable by creating a mismatch of a working serial number/loop number combination. This should be re-confirmed if the loop number is changed.

0 + [\*] = to Delete Serial Number prompt (F)

[\*] = Continue to the ENROLL MODE prompt (1A) if not enrolled, or VOICE DESCRIPTOR prompt (1C) if already enrolled.

[#] = Return to previous prompt

1-4 = Loop number for the zone of the transmitter being entered or learned

**F**

**DELETE ZONE PARAMETERS**

0 = Discard the delete request.  
1 = Confirm the requested delete.  
If 00 is entered in the zone type, confirmation of the delete request will delete all information associated with zone currently being programmed.  
If 0 is entered in the loop number, confirmation of the delete request will delete the serial number associated with zone currently being programmed.

**Note:** 00 was entered as a zone type in prompt (b), 00 will be retained and system will advance to prompt (1C).

**1A LC**

**ENROLL MODE**

0 = Skip to the VOICE DESCRIPTOR prompt (1C). If zone type is "00," then skips to DELETE SERIAL NUMBER prompt instead.  
1 = Enroll now and proceed to SERIAL NUMBER prompt (1b) (If "L" is not displayed).  
2 = Copy the last serial number from the local memory buffer (If "L" is not displayed).  
3 = View existing serial number. (Only if "L" is displayed).  
9 = Delete existing serial number. (Only if "L" is displayed).  
[\*] = Advance to the VOICE DESCRIPTOR prompt (1C). This will save all zone parameters.  
[#] = Return to the loop number prompt (E).

**Notes:** (1) "L" will be displayed only if transmitter was already learned.  
(2) The system will announce the Voice Descriptor for the selected zone, if it is programmed, followed by three beeps and "C" will be displayed only after confirmation.

**1b**

**SERIAL NUMBER**

Manually enter the transmitter's 7-digit serial number (printed on the transmitter). If an incorrect digit is entered, press the [#] key to return to prompt (1A).

**Note:** In order for all parameters to be accepted, you must advance to prompt (1C).

When all 7 digits are entered, press the [\*] key. The serial number will be copied into EEROM and the local memory buffer and the system will return to the (1A) prompt and "L" will be displayed. If 52 seconds pass and no entry is been made, the system will return to prompt (1A).

**1C**

**VOICE DESCRIPTOR**

0 = Skip to next zone (A)  
1 = Enter descriptor mode (existing zone descriptor will be announced, then descriptor 1 will be repeated)

**1d vi**

**DESCRIPTOR 1**

Enter [#] + 2-digit vocabulary index† number (vi) of first descriptor word for this zone.  
To change the entered index number, press [#] + desired index number.  
6 = accept word and advance to descriptor 2 (descriptor 2 will be announced)  
8 = accept word and advance to next zone (prompt A) – zone descriptor will be announced  
Press any other key to repeat the selected word

**1E vi**

**DESCRIPTOR 2**

Enter [#] + 2-digit vocabulary index† number (vi) of second descriptor word for this zone.  
To change the entered index number, press [#] + desired index number.  
6 = accept word and advance to descriptor 3 (descriptor 3 will be announced)  
8 = accept word and advance to next zone (prompt A) – zone descriptor will be announced  
Press any other key to repeat the selected word

**1F vi**

**DESCRIPTOR 3**

Enter [#] + 2-digit vocabulary index† number (vi) of third descriptor word for this zone.  
To change the entered index number, press [#] + desired index number.  
6 or 8 = accept word and advance to next zone (prompt A) – zone descriptor will be announced  
Press any other key to repeat the selected word

† See \*84 ASSIGN ZONE VOICE DESCRIPTORS section for Vocabulary Index.

## \*80 DEVICE PROGRAMMING

Use this mode to program Powerline Carrier Devices or zone lists for Chime by Zone feature. Press \*80 while in programming mode.

**Note:** Entering a number other than the one specified may give unpredictable results.

**80**

### Device Programming

0 = Exit mode, upon which this prompt blinks.  
1 = Enter mode

**A 01**

### DEVICE NUMBER

Enter the 2-digit device number (01-08) to be programmed

[\*] = Continue

00 = Exit Device Programming mode (displays blinking 80; enter \* + desired data field or menu mode number)

**b aa**

### DEVICE ACTION

Enter the 1-digit action, 0-3, for the device being programmed (current action is displayed).

0 = No response

3 = Pulse on and off

1 = Close for 2 seconds

[\*] = Continue

2 = Close and stay closed

[#] = Return to previous prompt

**[ et**

### START EVENT TYPE (if applicable)

Enter the 1-digit start event type, 0-3, for the device being programmed.

0 = Not used

3 = Trouble

1 = Alarm

[\*] = Continue

2 = Fault

[#] = Return to previous prompt

**d zl**

### START ZONE LIST (if applicable)

Enter the 1-digit zone list number, 1-3, or 0 if not used, for the device being programmed.

[\*] = Continue

[#] = Return to previous prompt

**E zl**

### START ZONE TYPE (if applicable)

Enter the 2-digit start zone type for the device being programmed ( see Powerline Carrier Device Worksheet for zone type/system operation codes later in this manual).

[\*] = Continue

[#] = Return to previous prompt

**F zl**

### STOP ZONE LIST (if applicable)

Enter the 1-digit zone list number, 1-3, or 0 if not used, for the device being programmed.

[\*] = Continue

[#] = Return to previous prompt

**IA zl**

### STOP ZONE TYPE (if applicable)

Enter the 2-digit stop zone type for the device being programmed ( see Powerline Carrier Device Worksheet for zone type/system operation codes later in this manual).

[\*] = Return to Device Number prompt (A)

[#] = Return to previous prompt

## \*81 ZONE LISTS

Use this mode to define zone lists for Powerline Carrier Devices and/or for the chime by zone feature. Press \*81 while in programming mode.

**Note:** Entering a number other than the one specified may give unpredictable results.

**81**

### ZONE LIST PROGRAMMING

0 = Exit mode, upon which this prompt blinks.  
1 = Enter mode

**A 01**

### ZONE LIST NUMBER

Enter the 2-digit zone list number (01-03) to be programmed (use zone list 03 for chime by zone feature).  
[\*] = Continue  
00 = Exit mode (displays blinking 81; enter \* + desired data field or menu mode number)

**b zz**

### ZONE ENTRY TO LIST

Enter the 2-digit zone number (zz) to be added to this zone list. The system will announce the Voice Descriptor for the selected zone, if it is programmed.  
[\*] = Accept zone number and enter the next zone number  
00 = Accept zone number and continue to next prompt

**C**

### DELETE ENTIRE ZONE LIST?

0 = Don't delete; continue to next prompt  
1 = Delete the current zone list

**d**

### DELETE SPECIFIC ZONES FROM LIST?

0 = Don't delete; continue to next zone list number (prompt A 01)  
1 = Continue to delete zones prompt

**E**

### DELETE ZONES

Enter the 2-digit zone number to be deleted from the current zone list. When deleting a zone(s) from the zone list, if the selected zone has a Voice Descriptor programmed, upon deletion it will be announced as a confirmation that it has been deleted.  
[\*] = Delete zone and enter next zone to be deleted  
00 = Return to next zone list number (prompt A 01)

## \*83 ENHANCED SEQUENTIAL MODE

Use this mode to enter transmitter serial numbers. Press \*83 while in programming mode.

**A** 01

### ZONE NUMBER

Enter the 2-digit zone number of the first transmitter to have its serial number entered. The system will announce the Voice Descriptor for the selected zone if it has been programmed.

[\*] = Continue; system searches for zones not yet entered, (for zones 2 to 25 a zone type must be entered) then advances to ENROLL SERIAL NUMBER prompt (1b).

00 = Exit Sequential mode, upon which the prompt "83" blinks.

**1A** ZZ

### ENROLL MODE

0 = Advance to next unlearned zone.

1 = Enter now and proceed to SERIAL NUMBER prompt (1b). For 4-button keys (zones 26-29, 30-33, 34-37 and 38-41) the serial number will be learned to all four buttons.

2 = copy the previous serial number entry from the buffer.

**Notes:** Before you can copy a serial number you must first enter a serial number. If no serial is stored in the buffer and a copy is attempted the panel will emit a long beep indicating an invalid operation.

3 = View existing serial number. (Only if "L" is displayed. If "L" is not displayed, panel will emit a long beep. Each digit will be displayed and the keypad will beep once for digits 1-6 and three times for last digit.)

4 = Copy the 4-button key template set for zones 26 - 29 (includes all zone parameters except serial numbers). Only valid on 4-button key zones 30-33, 34-37 and 38-41 that do not have serial numbers learned. (Template acceptance is indicated by two beeps after copying. A single long beep emitted when copying templates indicates the template is not valid.)

9 = Delete existing serial number. Go to the (1A) prompt. (For 4-button key zones 26-29, 30-33, 34-37 and 38-41, deletes all four at once.)

[\*] = Advance to the next unlearned zone.

[#] = Return to previous prompt (1A).

**1A** LC

**1b** ZZ

### SERIAL NUMBER

This prompt can be used to enroll the transmitter serial number via RF transmission or manually.

**RF Learning** - Two (2) transmissions (two key depressions at least five second apart) will be required for BR type or four (4) transmissions (fault, restore and fault, restore) for UR or RF type. BR type devices can be enrolled only by transmission from BR devices. Likewise, UR and RF devices can only be enrolled by transmission from a UR or RF device.

If the learned serial number has a different loop number than that entered in \*56 the system will announce the Voice Descriptor, if it is programmed, followed by two beeps and will return to Prompt (1A) and "L" will be displayed.

If the loop number captured by RF transmission and that entered in \*56 mode match, the system will announce the Voice Descriptor, if it is programmed, followed by three beeps and return to Prompt (1A) and "LC" will be displayed. No additional transmissions are needed for confirmation.

**Manual Entry** - Enter the 7-digit serial number printed on the transmitter. If you enter an incorrect digit, press the [#] key to backup to prompt (1A) and start over. When all 7 digits are entered, press the [\*] key. If less than 7 digits are entered, the keypad will emit a single long beep and return to the (1A) prompt without displaying the "L". If more than 7 digits have been entered, the first 6 digits will be saved along with the last digit that was entered (entering 123456789 yields the serial number 1234569).

**Note:** If 52 seconds passes and no entry has been made, the system returns to prompt (1A).

**1b**

**F**

### DELETE ZONE PARAMETERS CONFIRMATION

0 = Discard the delete request.

1 = Confirm requested delete.

## \*84 ASSIGN ZONE VOICE DESCRIPTORS

Use this mode to assign voice descriptors for each zone. These are the descriptors that are announced when the system announces any event involving a zone number. Press \*84 while in programming mode.

**Note:** Entering a number other than the one specified may give unpredictable results.

84

### ASSIGN ZONE VOICE DESCRIPTORS

0 = Exit mode, upon which this prompt blinks.  
1 = Enter mode

A zz

### ZONE NUMBER

Enter the 2-digit zone number (zz) for which this descriptor is being assigned. The Voice Descriptor for the selected zone will be announced, if it is programmed.

[\*] = Continue to next prompt (existing descriptors will be announced, then descriptor 1 will be repeated.)

00 = Exit Zone Voice Descriptor mode (displays blinking 84; enter \* + desired data field or menu mode number)

b vv

### DESCRIPTOR 1

Enter [#] + 2-digit vocabulary index number of first descriptor word for this zone.

To change the entered index number, press [#] + desired index number.

6 = accept word and advance to descriptor 2 (descriptor 2 will be announced)

8 = accept word and advance to next zone (prompt A....zz) – zone descriptor will be announced

Press any other key to repeat the selected word

c vv

### DESCRIPTOR 2

Enter [#] + 2-digit vocabulary index number of second descriptor word for this zone.

To change the entered index number, press [#] + desired index number.

6 = accept word and advance to descriptor 3 (descriptor 3 will be announced)

8 = accept word and advance to next zone (prompt A....zz) – zone descriptor will be announced

Press any other key to repeat the selected word

d vv

### DESCRIPTOR 3

Enter [#] + 2-digit vocabulary index number of third descriptor word for this zone.

To change the entered index number, press [#] + desired index number.

6 or 8 = accept word and advance to next zone (prompt A....zz) – zone descriptor will be announced

Press any other key to repeat the selected word

## VOCABULARY INDEX

00 ½ sec pause	F	M	U
01 ALARM	14 FIRE	25 MAIN	40 UPSTAIRS
02 ATTIC	15 FLOOR	26 MASTER	41 UTILITY
	16 FRONT	27 MESSAGE	W
	B G	28 MOTION	42 WINDOW
03 BABY	17 GARAGE	O	Y
04 BACK	18 GUN	29 OFFICE	43 YARD
05 BASEMENT	H	P	Z
06 BATHROOM	19 HALL	30 PATIO	44 ZONES
07 BEDROOM	I	31 POOL	45 1 <sup>ST</sup>
	C 20 INSIDE	R	46 2 <sup>ND</sup>
08 CHECK	K	32 ROOM	47 3 <sup>RD</sup>
	D 21 KITCHEN	S	
09 DEN	L	33 SHED	
10 DETECTOR	22 LAUNDRY	34 SHOP	70 Custom Word #1
11 DINING	23 LIBRARY	35 SIDE	71 Custom Word #2
12 DOOR	24 LIVING	36 SLIDING	72 Custom Word #3
	E	37 SMOKE	73 Custom Word #4
13 EMERGENCY		38 STORAGE	74 Custom Word #5
		39 SYSTEM	99 Blank

### SYSTEM WORDS

(Announced by system – not programmable)

AC LOSS  
ARMED  
AWAY  
BYPASSED  
CHIME  
DISARMED  
DISARM SYSTEM  
NOW  
EXIT NOW  
FAULT  
INSTANT  
LOW BATTERY  
NOT  
READY TO ARM  
STAY



## \*85 RECORD CUSTOM VOICE DESCRIPTORS

Use this mode to record up to 5 custom voice descriptors for use with zone announcements. Press \*85 while in programming mode.

**NOTE:** Entry of a number other than one specified will give unpredictable results.

85

### RECORD CUSTOM VOICE DESCRIPTORS

0 = Exit mode, upon which this prompt blinks.  
1 = Enter mode

A 7d

### CUSTOM DESCRIPTOR NUMBER

Enter 7 + d + [\*], where d = 0-4, each representing custom word 70, 71, 72, 73 or 74 respectively. Existing descriptor will be announced.

Press [#] to start recorder. Start speaking immediately after the third beep.

Speak the desired word clearly near the keypad microphone. Recording stops after 1.5 seconds.

6 = Accept word and ready to record next descriptor (prompt A....7d)

[#] = Re-record descriptor

00 = Exit Record mode after pressing 6 (displays blinking 85; enter \* + desired data field or menu mode number)

Press any other key to repeat the recorded word.

## \*56 ENHANCED ZONE PROGRAMMING WORKSHEET

Fill in the required data on this worksheet, then follow the programming procedure in the Installation and Setup Guide.

**ZONES ON CONTROL:** See explanation of headings (defaults shown are for Table 1)

Zone Description	Zone No. (a 01)	Zone Type (zt)	Alarm rpt code (hex) (rc)	Vocabulary Index
Wired Zone 1	0 1	<input type="text"/> <input type="text"/> [00]	<input type="text"/> <input type="text"/> <input type="text"/> <input type="text"/> [00 00]	<input type="text"/> <input type="text"/> <input type="text"/> <input type="text"/>
Duress	9 2	-- --	<input type="text"/> <input type="text"/> <input type="text"/> <input type="text"/> [01 00]	<input type="text"/> <input type="text"/> <input type="text"/> <input type="text"/>
Keypad Panic (1 & *)	9 5	<input type="text"/> <input type="text"/> [00]	<input type="text"/> <input type="text"/> <input type="text"/> <input type="text"/> [00 00]	<input type="text"/> <input type="text"/> <input type="text"/> <input type="text"/>
Keypad Panic (3 & #)	9 6	<input type="text"/> <input type="text"/> [00]	<input type="text"/> <input type="text"/> <input type="text"/> <input type="text"/> [00 00]	<input type="text"/> <input type="text"/> <input type="text"/> <input type="text"/>
Keypad Panic (* & #)	9 9	<input type="text"/> <input type="text"/> [06]	<input type="text"/> <input type="text"/> <input type="text"/> <input type="text"/> [01 00]	<input type="text"/> <input type="text"/> <input type="text"/> <input type="text"/>

**Note:** Zone 1 cannot be used as a fire zone.

Zone No. (A 01)	Zone Type (zt)	Alarm Report Code in hex (rc)	Input Type (I)	Loop No. (l)	Transmitter Serial Number	Vocabulary Index
<input type="text"/>	<input type="text"/> [01]	<input type="text"/> <input type="text"/> [01 00]	<input type="text"/> [3]	<input type="text"/> [2]	<input type="text"/>	<input type="text"/> <input type="text"/> <input type="text"/> <input type="text"/> [16-12-99]
<input type="text"/>	<input type="text"/> [01]	<input type="text"/> <input type="text"/> [01 00]	<input type="text"/> [3]	<input type="text"/> [2]	<input type="text"/>	<input type="text"/> <input type="text"/> <input type="text"/> <input type="text"/> [04-12-99]
<input type="text"/>	<input type="text"/> [03]	<input type="text"/> <input type="text"/> [01 00]	<input type="text"/> [3]	<input type="text"/> [2]	<input type="text"/>	<input type="text"/> <input type="text"/> <input type="text"/> <input type="text"/> [42-99-99]
<input type="text"/>	<input type="text"/> [10]	<input type="text"/> <input type="text"/> [01 00]	<input type="text"/> [3]	<input type="text"/> [1]	<input type="text"/>	<input type="text"/> <input type="text"/> <input type="text"/> <input type="text"/> [28-10-99]
<input type="text"/>	<input type="text"/>	<input type="text"/> <input type="text"/>	<input type="text"/>	<input type="text"/>	<input type="text"/>	<input type="text"/> <input type="text"/> <input type="text"/> <input type="text"/>
<input type="text"/>	<input type="text"/>	<input type="text"/> <input type="text"/>	<input type="text"/>	<input type="text"/>	<input type="text"/>	<input type="text"/> <input type="text"/> <input type="text"/> <input type="text"/>
<input type="text"/>	<input type="text"/>	<input type="text"/> <input type="text"/>	<input type="text"/>	<input type="text"/>	<input type="text"/>	<input type="text"/> <input type="text"/> <input type="text"/> <input type="text"/>
<input type="text"/>	<input type="text"/>	<input type="text"/> <input type="text"/>	<input type="text"/>	<input type="text"/>	<input type="text"/>	<input type="text"/> <input type="text"/> <input type="text"/> <input type="text"/>
<input type="text"/>	<input type="text"/>	<input type="text"/> <input type="text"/>	<input type="text"/>	<input type="text"/>	<input type="text"/>	<input type="text"/> <input type="text"/> <input type="text"/> <input type="text"/>
<input type="text"/>	<input type="text"/>	<input type="text"/> <input type="text"/>	<input type="text"/>	<input type="text"/>	<input type="text"/>	<input type="text"/> <input type="text"/> <input type="text"/> <input type="text"/>
<input type="text"/>	<input type="text"/>	<input type="text"/> <input type="text"/>	<input type="text"/>	<input type="text"/>	<input type="text"/>	<input type="text"/> <input type="text"/> <input type="text"/> <input type="text"/>
<input type="text"/>	<input type="text"/>	<input type="text"/> <input type="text"/>	<input type="text"/>	<input type="text"/>	<input type="text"/>	<input type="text"/> <input type="text"/> <input type="text"/> <input type="text"/>
<input type="text"/>	<input type="text"/>	<input type="text"/> <input type="text"/>	<input type="text"/>	<input type="text"/>	<input type="text"/>	<input type="text"/> <input type="text"/> <input type="text"/> <input type="text"/>
<input type="text"/>	<input type="text"/>	<input type="text"/> <input type="text"/>	<input type="text"/>	<input type="text"/>	<input type="text"/>	<input type="text"/> <input type="text"/> <input type="text"/> <input type="text"/>
<input type="text"/>	<input type="text"/>	<input type="text"/> <input type="text"/>	<input type="text"/>	<input type="text"/>	<input type="text"/>	<input type="text"/> <input type="text"/> <input type="text"/> <input type="text"/>

Zone No. (A 01)	Zone Type (zt)	Alarm Report Code in hex (rc)	Input Type (i)	Loop No. (l)	Transmitter Serial Number	Vocabulary Index
17						
18						
19						
20						
21						
22						
23						
24						
25						

**Button Zones**

26	[21]	[01 00]	[5]	[3]		
27	[22]	[01 00]	[5]	[2]		
28	[20]	[01 00]	[5]	[4]		
29	[23]	[00 00]	[5]	[1]		
30	[21]	[01 00]	[5]	[3]		
31	[22]	[01 00]	[5]	[2]		
32	[20]	[01 00]	[5]	[4]		
33	[23]	[00 00]	[5]	[1]		
34						
35						
36						
37						
38						
39						
40						
41						

**EXPLANATION OF ZONE ASSIGNMENT TABLE HEADINGS**

**A 01 = ZONE No.** Zone Numbers are 01 (wired), 2-25 (RF) only, 26-41 (Button) only, 92 (duress), 95, 96, 99 (panic)

**zt = ZONE TYPE**

00 = Not Used	04 = Interior Follower	08 = 24 Hr Aux	21 = Arm-Away
01 = Entry/Exit #1	05 = Trouble Day/Alarm Night	09 = Fire without Delay	22 = Disarm
02 = Entry/Exit #2	06 = 24 Hr Silent	10 = Interior with Delay	23 = No Alarm Response
03 = Perimeter	07 = 24 Hr Audible	20 = Arm-Stay	24 = Silent Burglary

**rc = ALARM REPORT CODE** Two Hex Digits. For each Hex Digit, enter: 00-09 for 0-9, 10 for A, 11 for B, 12 for C, 13 for D, 14 for E, 15 for F. If "00" is entered as the first digit, there will be no report for that zone.  
For Contact ID reporting, this is enabling code only. Enter any hex digit (other than 00) in the first pair of boxes. The second pair of boxes is ignored.

**i = INPUT TYPE**  
Enter 3 for RF: Supervised RF  
Enter 4 for UR: Unsupervised RF  
Enter 5 for BR: Button Type RF

Zones 2-25 should be assigned as Input Type 3 or 4 and Zones 26-41 should be assigned as Type 5 only.

**l = LOOP NUMBER** Used with 5800 RF Loop Input Devices. Record transmitter loop number. Entries are 1-4, depending on device being used. Refer to the transmitter's instructions for appropriate loop numbers.

# POWERLINE CARRIER DEVICES WORKSHEET FOR \*80, and \*81.

Applicable only if Powerline Carrier Devices are to be used, or chime-by-zone feature is used.



Powerline Carrier Devices are not UL Listed for fire or burglary functions and are intended for home automation.

## \*80 OUTPUT DEVICES

Fill in the required data on the worksheet on below and follow the programming procedure in the Installation Instructions as you enter the data during the displays and prompts that appear in sequence.

**Note:** Field \*25 must be programmed with a House Code.

DEVICE NUMBER	ACTION (aa)	S T A R T			S T O P	
		EVENT TYPE (et)	ZONE LIST (zl)	ZONE TYPE SYS OPERATION (zt)	RESTORE ZONE LIST (zl)	ZONE TYPE/ SYS OPERATION (zt)
P.L.C.D.*† 01						
P.L.C.D.*† 02						
P.L.C.D.*† 03						
P.L.C.D.* 04						
P.L.C.D.* †05						
P.L.C.D.*† 06						
SYS. P.L.C.D.*† 07						
SYS. P.L.C.D.*† 08	[2]			[33]		[36]

\* P.L.C.D. = Powerline Carrier Device (X-10).

**Note:** If using an X-10 Powerhouse Security SH10A Siren as device 8, you must change the action default to "3" if using default table 4.

Where:	<b>A = DEVICE ACTION</b>	0 = No Response; 1 = Close for 2 sec; 2 = Close and stay closed; 3 = Pulse on and off.																											
	<b>ET = EVENT TYPE</b>	0 = Not used; 1 = Alarm; 2 = Fault; 3 = Trouble.																											
	<b>Z L = ZONE LIST</b>	1, 2, or 3 (from Field *81) or 0 = Not Used. "START" ZONE LIST: Upon alarm, fault, or trouble of ANY zone on this list, device action will START. "STOP" RESTORE of ZONE LIST: Upon restore of ALL zones on this list, device action will STOP. It need not be same list as used for START. <b>Note:</b> Do not assign zones with types 20, 21, or 22 to a zone list.																											
	<b>ZT = ZONE TYPE/ SYSTEM OPERATION</b>	<p><b>Choices for Zone Types are:</b></p> <table border="0"> <tr> <td>00 = Not Used</td> <td>04 = Interior Follower</td> <td>08 = 24 Hr Aux</td> </tr> <tr> <td>01 = Entry/Exit#1</td> <td>05 = Trouble Day/Alarm Night</td> <td>09 = Fire Zone</td> </tr> <tr> <td>02 = Entry/Exit#2</td> <td>06 = 24 Hr Silent</td> <td>10 = Interior w/Delay</td> </tr> <tr> <td>03 = Perimeter</td> <td>07 = 24 Hr Audible</td> <td>24 = Silent Burglary</td> </tr> </table> <div style="border: 1px solid black; padding: 5px; margin: 10px 0;"> <p><b>Note:</b> Any zone in "ZT" going into alarm, fault, or trouble will activate device with the exception of 01, 02 when the system is in alarm. Any zone that restores will stop device action.</p> </div> <p><b>Choices for System Operation are:</b></p> <table border="0"> <tr> <td>20 = Arming–Stay</td> <td>33 = Any Alarm (except ZT=08)</td> <td>42 = System Battery Low</td> </tr> <tr> <td>21 = Arming–Away</td> <td>36 = *At Bell Timeout</td> <td>43 = Communication Failure</td> </tr> <tr> <td>22 = Disarming (Code + OFF)</td> <td>38 = Chime</td> <td>52 = Kissoff</td> </tr> <tr> <td>31 = End of Exit Time</td> <td>39 = Any Fire Alarm</td> <td>58 = Duress</td> </tr> <tr> <td>32 = Start of Entry Time</td> <td>40 = Bypassing</td> <td></td> </tr> </table> <p style="text-align: right;">* Or at Disarming, whichever occurs earlier.</p>	00 = Not Used	04 = Interior Follower	08 = 24 Hr Aux	01 = Entry/Exit#1	05 = Trouble Day/Alarm Night	09 = Fire Zone	02 = Entry/Exit#2	06 = 24 Hr Silent	10 = Interior w/Delay	03 = Perimeter	07 = 24 Hr Audible	24 = Silent Burglary	20 = Arming–Stay	33 = Any Alarm (except ZT=08)	42 = System Battery Low	21 = Arming–Away	36 = *At Bell Timeout	43 = Communication Failure	22 = Disarming (Code + OFF)	38 = Chime	52 = Kissoff	31 = End of Exit Time	39 = Any Fire Alarm	58 = Duress	32 = Start of Entry Time	40 = Bypassing	
00 = Not Used	04 = Interior Follower	08 = 24 Hr Aux																											
01 = Entry/Exit#1	05 = Trouble Day/Alarm Night	09 = Fire Zone																											
02 = Entry/Exit#2	06 = 24 Hr Silent	10 = Interior w/Delay																											
03 = Perimeter	07 = 24 Hr Audible	24 = Silent Burglary																											
20 = Arming–Stay	33 = Any Alarm (except ZT=08)	42 = System Battery Low																											
21 = Arming–Away	36 = *At Bell Timeout	43 = Communication Failure																											
22 = Disarming (Code + OFF)	38 = Chime	52 = Kissoff																											
31 = End of Exit Time	39 = Any Fire Alarm	58 = Duress																											
32 = Start of Entry Time	40 = Bypassing																												

**Note:** In normal operation mode:

For Devices 1-6:

Function + Lights On + N

Function + Lights Off + N

For Devices 7 and 8:

Code + Function + 4 + N

Code + Function + 7 + N

N = device (unit) number

(Entry **starts** Device N)

(Entry **stops** Device N)

### \*81 ZONE LISTS FOR OUTPUT DEVICES

Fill in the required data on the worksheet below and follow the procedure in the installation manual as you enter the data during the displays and prompts that appear in sequence.

**Note:** Record desired zone numbers below. More or fewer boxes than shown may be needed, since any list may include any or all of a system's zone numbers.

**Zone List 1:** Started or stopped by zone numbers (enter 00 to end entries).

<input type="text"/>	<input type="text"/>	<input type="text"/>	<input type="text"/>	<input type="text"/>	<input type="text"/>	<input type="text"/>	<input type="text"/>	<input type="text"/>	<input type="text"/>	<input type="text"/>	<input type="text"/>	<input type="text"/>	<input type="text"/>	<input type="text"/>	<input type="text"/>	<input type="text"/>
----------------------	----------------------	----------------------	----------------------	----------------------	----------------------	----------------------	----------------------	----------------------	----------------------	----------------------	----------------------	----------------------	----------------------	----------------------	----------------------	----------------------

.etc. [28][32]

**Zone List 2:** Started or stopped by zone numbers (enter 00 to end entries).

<input type="text"/>	<input type="text"/>	<input type="text"/>	<input type="text"/>	<input type="text"/>	<input type="text"/>	<input type="text"/>	<input type="text"/>	<input type="text"/>	<input type="text"/>	<input type="text"/>	<input type="text"/>	<input type="text"/>	<input type="text"/>	<input type="text"/>	<input type="text"/>	<input type="text"/>
----------------------	----------------------	----------------------	----------------------	----------------------	----------------------	----------------------	----------------------	----------------------	----------------------	----------------------	----------------------	----------------------	----------------------	----------------------	----------------------	----------------------

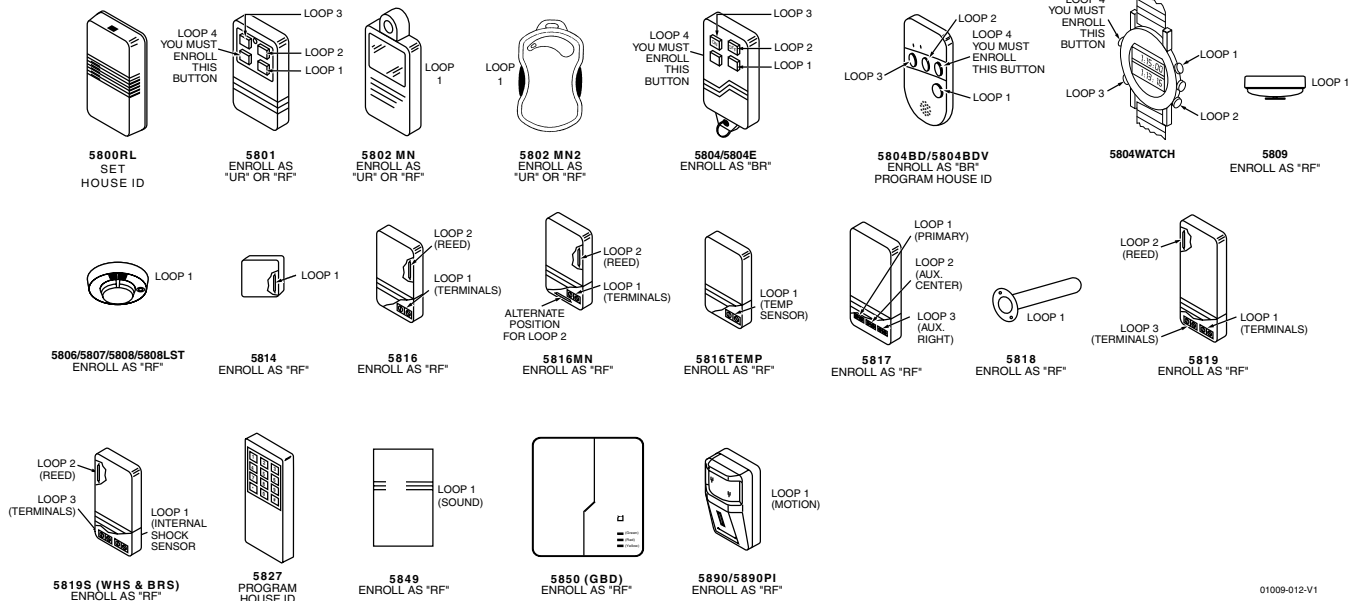
.etc. [29][33]

**Zone List 3:** Started or stopped by zone numbers AND/OR assignment of Chime zones (enter 00 to end entries)

<input type="text"/>	<input type="text"/>	<input type="text"/>	<input type="text"/>	<input type="text"/>	<input type="text"/>	<input type="text"/>	<input type="text"/>	<input type="text"/>	<input type="text"/>	<input type="text"/>	<input type="text"/>	<input type="text"/>	<input type="text"/>	<input type="text"/>	<input type="text"/>	<input type="text"/>
----------------------	----------------------	----------------------	----------------------	----------------------	----------------------	----------------------	----------------------	----------------------	----------------------	----------------------	----------------------	----------------------	----------------------	----------------------	----------------------	----------------------

.etc.[02][03]

### 5800 SERIES LOOP NUMBERS



**Note:** You must enroll loop 4 on the 5801, 5804/5804E, 5804BD/5804BDV and 5804WATCH transmitters, regardless of whether it is used or not.



The 5800RL, 5802MN, 5802MN2, 5804, 5804BD, 5804BDV, 5804E, 5804WATCH, 5808LST, 5814, 5816TEMP, 5819, 5819S(WHS & BRS), and 5850(GBD) transmitters are not intended for any UL installations.

### **SPECIAL MESSAGES**

**EE** = Data Entry Error (invalid field number entered while programming; re-enter valid field number).

**FC** = Communication Failure

**EA** = Exit Alarm

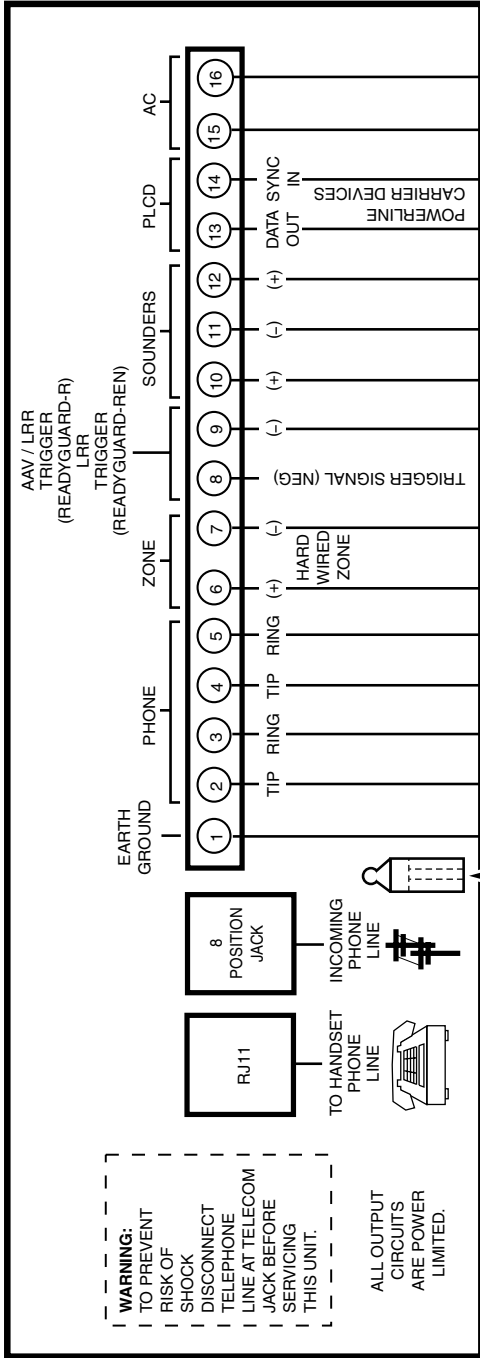
**CA** = Cancel Alarm

**CC** = Modem Communication (system is in communication with the central station)

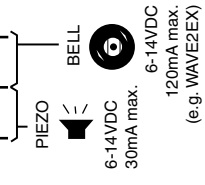
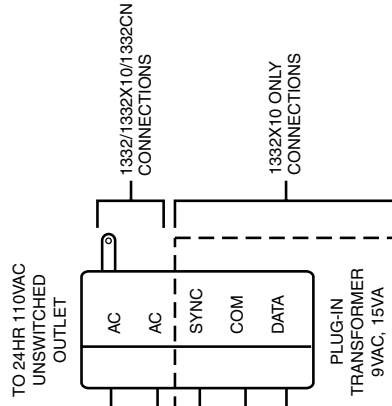
After powering up, **AC, dl** (disabled) will be displayed after approximately 4 seconds. This will revert to the Real-time Clock in approximately 1 minute. To bypass this delay, press: [#] + [0].

**PC** = Remote phone control feature is active

**PH** = Speaker phone mode feature is active



NOTE  
USE ONLY  
1332/1332X10  
OR 1332CN  
TRANSFORMERS  
PROVIDED



**WEEKLY TESTING IS  
REQUIRED TO ENSURE  
PROPER OPERATION  
OF THIS SYSTEM**

FCC ID: CFS8 DLYNX (LYNXR/LYNXR24) AND  
CFS8DLYNXREN (LYNXR-EN) COMPLIES WITH  
FCC RULES, PART 68 FCC REGISTRATION  
No. 5GBUSA-25623-AL-E RINGER EQUIVALENCE: 0.6B

**WARNING:**  
TO PREVENT  
RISK OF  
SHOCK  
DISCONNECT  
TELEPHONE  
LINE AT TELECOM  
JACK BEFORE  
SERVICING  
THIS UNIT.

ALL OUTPUT  
CIRCUITS  
ARE POWER  
LIMITED.

LOCAL SOUNDER  
DISABLE SHUNT  
REMOVE TO DISABLE

THIS EQUIPMENT SHOULD BE INSTALLED IN  
ACCORDANCE WITH THE NATIONAL FIRE PROTECTION  
ASSOCIATION'S STANDARD 72, CHAPTER 2 (NATIONAL  
FIRE PROTECTION ASSOC., BATTERYMARCH PARK,  
QUINCY, MA 02269).  
PRINTED INFORMATION DESCRIBING PROPER  
INSTALLATION, EVACUATION PLANNING AND  
REPAIR SERVICE IS TO BE PROVIDED WITH THIS  
EQUIPMENT.

THIS DEVICE COMPLIES WITH PART 15 OF FCC RULES.  
OPERATION IS SUBJECT TO THE FOLLOWING TWO  
CONDITIONS: (1) THIS DEVICE MAY NOT CAUSE  
HARMFUL INTERFERENCE, AND (2) THIS DEVICE MUST  
ACCEPT ANY INTERFERENCE RECEIVED, INCLUDING  
INTERFERENCE THAT MAY CAUSE UNDESIRABLE  
OPERATION.

THE READYGUARD-R SERIES CONTROLS ARE  
EQUIPPED WITH AN INTEGRAL RECHARGEABLE  
BATTERY PACK P/N LYNXRCHKIT-SC.  
FOR UL985 APPLICATIONS INSTALL  
P/N LYNXRCHKIT-HC  
**REPLACE EVERY FOUR YEARS**

***-NOTES-***



175 Eileen Way, Syosset, New York 11791

<http://firstalertpro.com>

Copyright © 2001 PITTMAY CORPORATION



K5965-1 9/01